



CONTRACTOR	
PROJECT	DATE
PREPARED BY	MODEL :

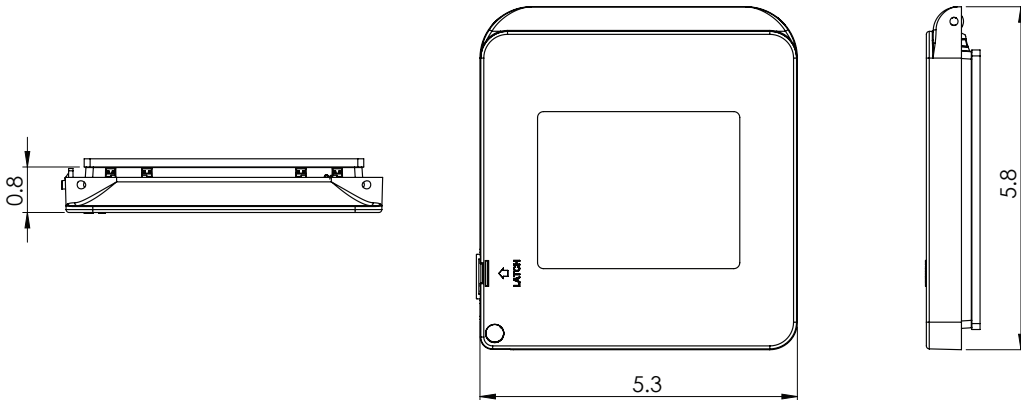
SERIES SPECIFICATIONS

WP21G

2G, 1" DEPTH, FLAT COVER, GRAY



LINE DRAWING



CONSTRUCTION

of Gangs

2

of Inserts

6

of Combinations

73

Base Material

polycarbonate

Cover Material

polycarbonate

Gasket Material

Polyethylene Foam

Min. Temperature

-60°F (-51°C)

Max. Temperature

120°F (49°C)

Base Color

Gray

Cover Color

Gray

Insert Material

Gray

Gasket Thickness

3mm

Depth

1.6"

Hinge Location

Horiz & Vert

Lock Type

Padlock (not included)

APPLICATION AND PERFORMANCE SPECIFICATION INFORMATION IS SUBJECT TO CHANGE WITHOUT NOTIFICATION



404 NW ENTERPRISE DR. PORT ST. LUCIE, FL 34986 | 772.408.5213 | WWW.RPP-USA.COM



CONTRACTOR	
PROJECT	DATE
PREPARED BY	MODEL :

CONSTRUCTION

Mounting Hardware
2 QTY 6-32 Screws

Cord Diameter
N/A

CERTIFICATIONS/WARRANTY

Listing
c-UL-us Listed

NEMA Rating
3R

Warranty
Guaranteed for one year from the purchase date of the product, against mechanical defects in manufacturing.

ORDERING INFORMATION

Part Number: WP21G

Weight : 0.50 lbs

APPLICATION AND PERFORMANCE SPECIFICATION INFORMATION IS SUBJECT TO CHANGE WITHOUT NOTIFICATION



404 NW ENTERPRISE DR. PORT ST. LUCIE, FL 34986 | 772.408.5213 | WWW.RPP-USA.COM