



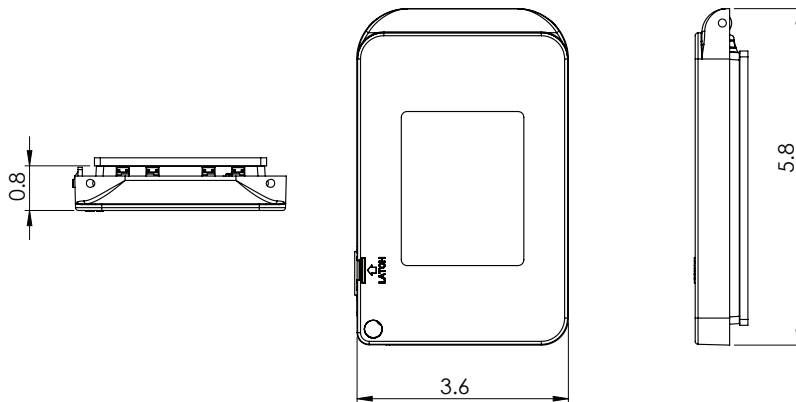
CONTRACTOR	
PROJECT	DATE
PREPARED BY	MODEL :

**SERIES SPECIFICATIONS** **WP11G**

1G, 1" DEPTH, FLAT COVER, GRAY



**LINE DRAWING**



**CONSTRUCTION**

**# of Gangs**  
1

**# of Inserts**  
3

**# of Combinations**  
24

**Base Material**  
polycarbonate

**Cover Material**  
polycarbonate

**Gasket Material**  
Polyethylene Foam

**Min. Temperature**  
-60°F (-51°C)

**Max. Temperature**  
120°F (49°C)

**Base Color**  
Gray

**Cover Color**  
Gray

**Insert Material**  
Gray

**Gasket Thickness**  
3mm

**Depth**  
1.6"

**Hinge Location**  
Horiz & Vert

**Lock Type**  
Padlock (not included)

APPLICATION AND PERFORMANCE SPECIFICATION INFORMATION IS SUBJECT TO CHANGE WITHOUT NOTIFICATION





CONTRACTOR	
PROJECT	DATE
PREPARED BY	MODEL :

## CONSTRUCTION

**Mounting Hardware**  
2 QTY 6-32 Screws

**Cord Diameter**  
N/A

## CERTIFICATIONS/WARRANTY

**Listing**  
c-UL-us Listed

**NEMA Rating**  
3R

**Warranty**  
Guaranteed for one year from the purchase date of the product, against mechanical defects in manufacturing.

## ORDERING INFORMATION

**Part Number:** WP11G

**Weight :** 0.30 lbs

APPLICATION AND PERFORMANCE SPECIFICATION INFORMATION IS SUBJECT TO CHANGE WITHOUT NOTIFICATION



404 NW ENTERPRISE DR. PORT ST. LUCIE, FL 34986 | 772.408.5213 | WWW.RPP-USA.COM