



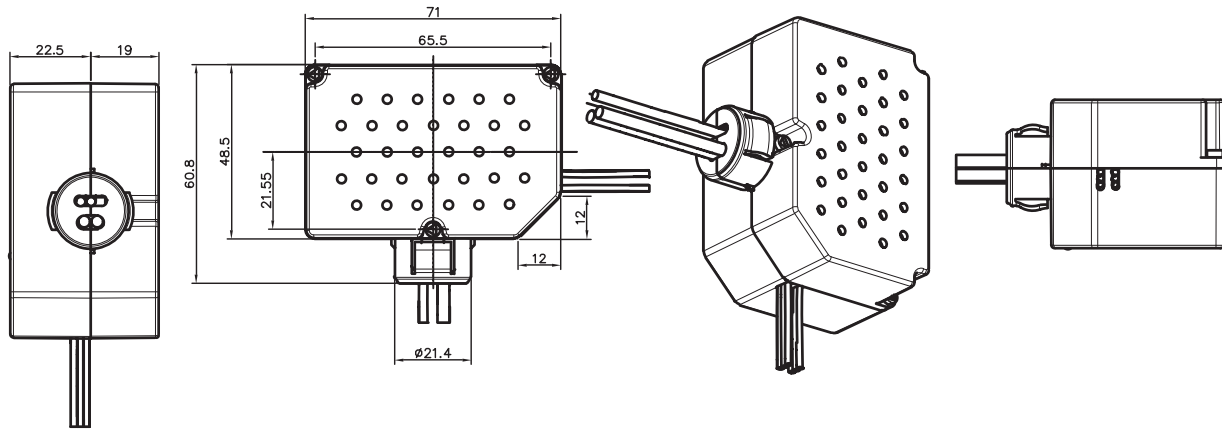
CONTRACTOR	
PROJECT	DATE
PREPARED BY	MODEL : VCPP24

SERIES SPECIFICATIONS

The VCPP24 power pack is the foundation for any low voltage lighting control system. The VCPP24 supplies low voltage power to occupancy sensors and other control devices, switching line voltage in response to signals from control devices. The VCPP24 power pack is attached to existing junction boxes or mounted into fixture wiring trays. Low voltage wiring should use at least 22-gauge wire. High voltage connections wiring is completed, check wiring diagrams to verify the power pack is wired. Improper wiring can cause damage to the power pack, lighting system, occupancy sensor and other control devices.



LINE DRAWING



ELECTRICAL SPECIFICATIONS

Voltage
120/230/277VAC

Frequency
50/60Hz

LOAD REQUIREMENTS

Incandescent Load
20A @ 120VAC

Ballast Load
20A @ 120/277VAC

Motor Load
1HP @ 120/240VAC

Output with relay connected
150mA @ 24VDC

APPLICATION AND PERFORMANCE SPECIFICATION INFORMATION IS SUBJECT TO CHANGE WITHOUT NOTIFICATION



404 NW ENTERPRISE DR. PORT ST. LUCIE, FL 34986 | 772.408.5213 | WWW.RPP-USA.COM



CONTRACTOR	
PROJECT	DATE
PREPARED BY	MODEL : VCPP24

LOW VOLTAGE INPUT

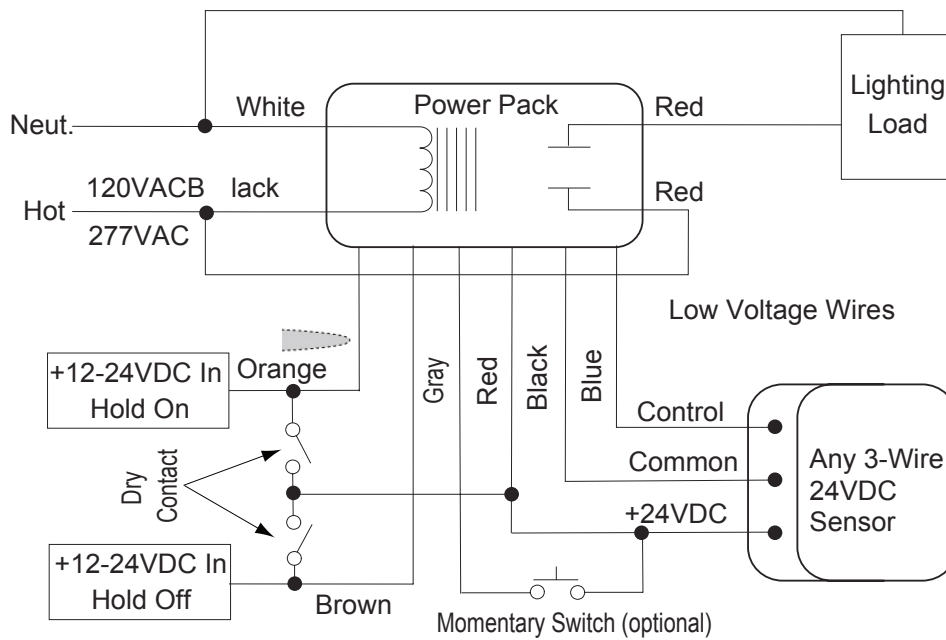
Control ON
12-24VDC

Hold ON
12-24VDC

Hold OFF
12-24VDC

Manual On
12-24VDC
(Momentary switch required)

WIRING DIAGRAM



CERTIFICATIONS/WARRANTY

Listing
UL Listed

Warranty

Guaranteed for two years from the purchase date of the product, against mechanical defects in manufacturing.

ORDERING INFORMATION

Part Number: VCOSWDJ15

IMS Code : 0288-1728

APPLICATION AND PERFORMANCE SPECIFICATION INFORMATION IS SUBJECT TO CHANGE WITHOUT NOTIFICATION



404 NW ENTERPRISE DR. PORT ST. LUCIE, FL 34986 | 772.408.5213 | WWW.RPP-USA.COM