



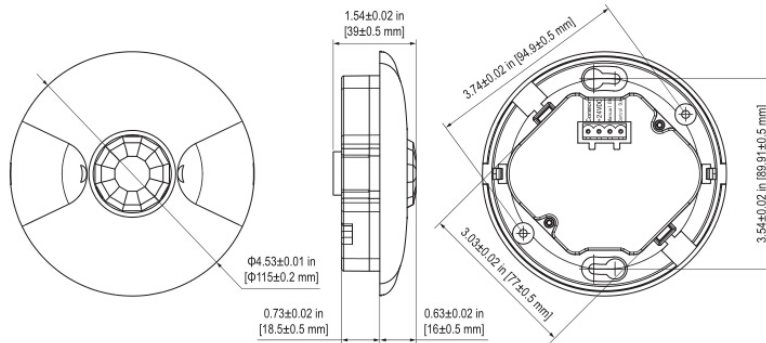
CONTRACTOR	
PROJECT	DATE
PREPARED BY	MODEL : VCMPC50L

SERIES SPECIFICATIONS

Low Voltage Ceiling Mount Occupancy Sensor, Passive Infrared Technology
 360 field of view, 1,200 sq. ft.
 Adjustable time delay
 Multi-level, 360 Fresnel lens for superior occupancy detection
 Sensitivity Adjustment Automatic or Low (DIP switch)
 Simple and fast installation
 VCPP24 power pack required



LINE DRAWING



CONSTRUCTION

Finish
White

Mounting
Ceiling

Sensor Technology
360° Passive Infrared

ELECTRICAL SPECIFICATIONS

Input Voltage
24VDC

Operating Temp
32°F ~ 131°F (0°C ~ 55°C)

Adjustable Light Level
10FC - 150FC

Adjustable Time Delay
15 sec. -30 min. (DIP Switch)

Current Consumption
9mA

Coverage
Up to 1200ft²

Walkthrough Mode
3 minutes if no activity after 30 sec.

Test Mode
15 sec. upon initial power-up or
DIP Switch reset

Sensitivity Adjustment
Automatic or Low (DIP Switch)

APPLICATION AND PERFORMANCE SPECIFICATION INFORMATION IS SUBJECT TO CHANGE WITHOUT NOTIFICATION



404 NW ENTERPRISE DR. PORT ST. LUCIE, FL 34986 | 772.408.5213 | WWW.RPP-USA.COM



CONTRACTOR	
PROJECT	DATE
PREPARED BY	MODEL : VCMPC50L

ELECTRICAL SPECIFICATIONS

Power Supply
VCP24

CERTIFICATIONS/WARRANTY

Listing

c-UL-us Listed

Warranty

Guaranteed for three years from the purchase date of the product, against mechanical defects in manufacturing.

ORDERING INFORMATION

Part Number: VCMPC50L

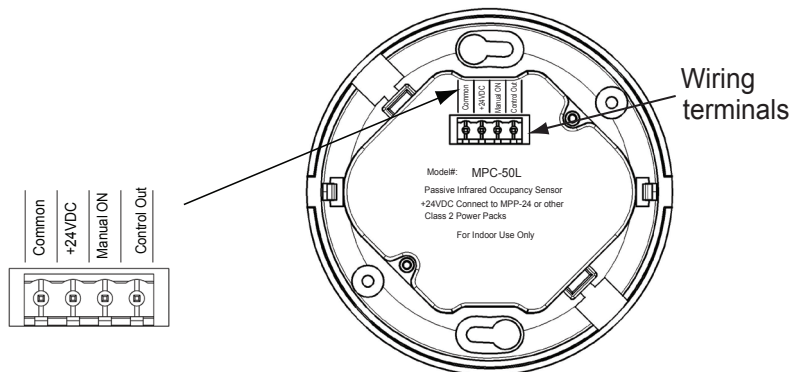
Box Qty : 1

Weight (Lbs) : 0.425

Carton Qty. : 40

IMS Code : 0288-1731

WIRING DIAGRAM



APPLICATION AND PERFORMANCE SPECIFICATION INFORMATION IS SUBJECT TO CHANGE WITHOUT NOTIFICATION



404 NW ENTERPRISE DR. PORT ST. LUCIE, FL 34986 | 772.408.5213 | WWW.RPP-USA.COM