



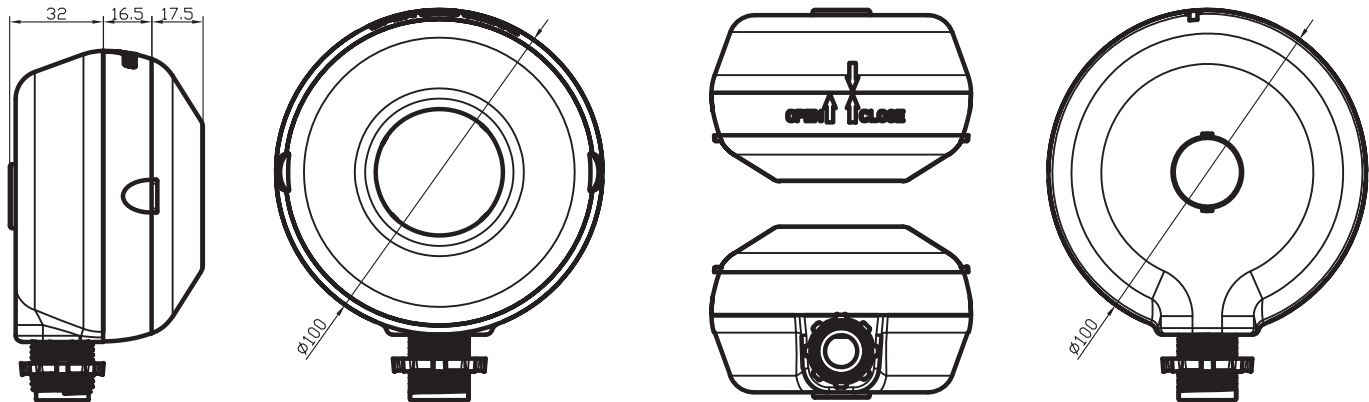
CONTRACTOR	
PROJECT	DATE
PREPARED BY	MODEL : VCMPC50H

SERIES SPECIFICATIONS

The VCMPC50H 360° passive infrared (PIR) occupancy sensors turn lighting systems on and off based on occupancy and ambient light levels. The light level feature keeps lights from turning on if the ambient light level is sufficient. The sensors can be configured to turn lighting on, and hold it on as long as the sensor detects occupancy. After no movement is detected for a specified time the lights are switched off.



LINE DRAWING



CONSTRUCTION

Finish
White

Mounting
Fixture

Sensor Technology
Passive Infrared

ELECTRICAL SPECIFICATIONS

Input Voltage
120/277VAC

Fluorescent/Ballast
800VA - 120 VAC, 60Hz
1200VA - 277 VAC, 60Hz

LED
100W

Incandescent/Tungsten
800W - 120VAC, 60Hz

Operating Temp
30°F ~ 122°F (0°C ~ 50°C)

Coverage L1 Lens
Up to 2800Ft²

Motor
1/4 HP - 120/240VAC, 60Hz

Sensitivity Adjustment
50/100%

Coverage L2 Lens
Up to 1200Ft²

Adjustable Time Delay
15 Sec. - 30 Min.

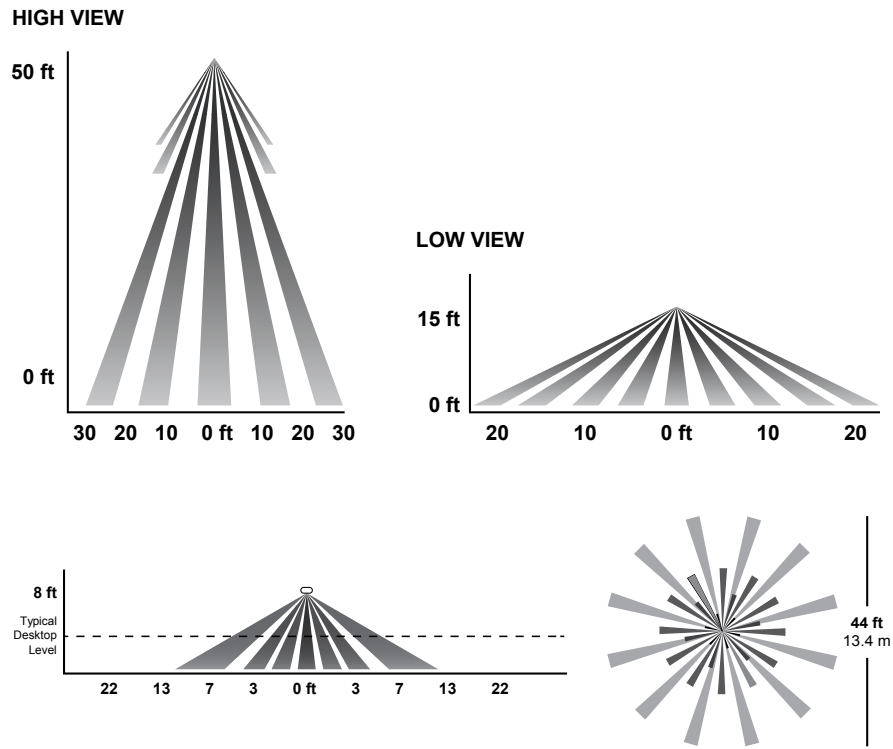
APPLICATION AND PERFORMANCE SPECIFICATION INFORMATION IS SUBJECT TO CHANGE WITHOUT NOTIFICATION





CONTRACTOR	
PROJECT	DATE
PREPARED BY	MODEL : VCMPC50H

COVERAGE PATTERN



The VCMPC50V provides a 360° coverage pattern, up to 2800 square feet. For building spaces with lower levels of activity or with obstacles and barriers, coverage size may decrease.

CERTIFICATIONS/WARRANTY

Listing
c-UL-us Listed

Warranty
Guaranteed for two years from the purchase date of the product, against mechanical defects in manufacturing.

ORDERING INFORMATION

Part Number: VCMPC50H

Box Qty : 1

Weight (Lbs) : 0.650

Carton Qty. : 30

IMS Code : 0288-1725

APPLICATION AND PERFORMANCE SPECIFICATION INFORMATION IS SUBJECT TO CHANGE WITHOUT NOTIFICATION

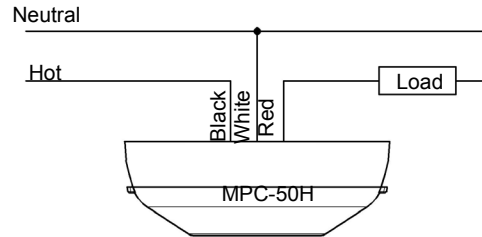


404 NW ENTERPRISE DR. PORT ST. LUCIE, FL 34986 | 772.408.5213 | WWW.RPP-USA.COM



CONTRACTOR	
PROJECT	DATE
PREPARED BY	MODEL : VCMPC50H

WIRING DIAGRAM



APPLICATION AND PERFORMANCE SPECIFICATION INFORMATION IS SUBJECT TO CHANGE WITHOUT NOTIFICATION

