



CONTRACTOR	
PROJECT	DATE
PREPARED BY	MODEL : L1020-R

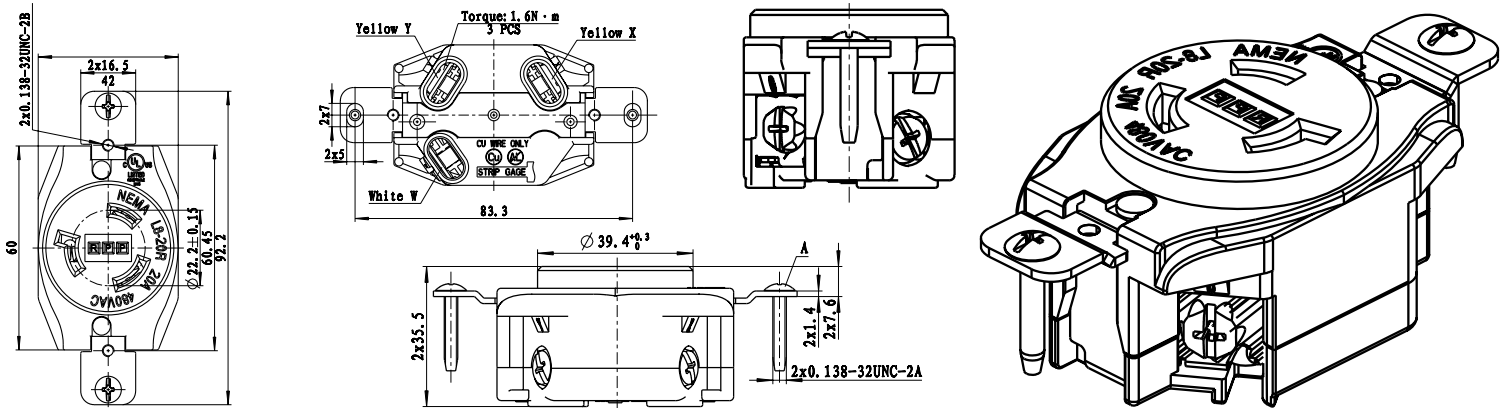
## SERIES SPECIFICATIONS

### 20A 125/250V 3POLE 3WIRE LOCKING DEVICE RECEPTACLE

- Durable fiberglass reinforced nylon body construction
- Notched terminal plates bit wire to ensure a positive bond
- Compact body design allowing more wire room in the box
- One piece copper alloy contact reduces heat build up and provides superior heat retention



## LINE DRAWING



## CONSTRUCTION

Finish  
Black

NEMA Configuration  
L10-20R

Wires  
3

## ELECTRICAL SPECIFICATIONS

Voltage  
125/250VAC

Amperage  
20A

Grounding  
No

Phase  
Single

Poles  
3

APPLICATION AND PERFORMANCE SPECIFICATION INFORMATION IS SUBJECT TO CHANGE WITHOUT NOTIFICATION



404 NW ENTERPRISE DR. PORT ST. LUCIE, FL 34986 | 772.408.5213 | WWW.RPP-USA.COM



CONTRACTOR	
PROJECT	DATE
PREPARED BY	MODEL : L1020-R

## CERTIFICATIONS/WARRANTY

Listing  
c-UL-us Listed

Warranty  
Guaranteed for one year from the purchase date of the product, against mechanical defects in manufacturing.

## ORDERING INFORMATION

Part Number: L1020-R

Box Qty : 10

Weight (Lbs) : 0.200

Carton Qty. : 60

IMS Code : 0292-9905

APPLICATION AND PERFORMANCE SPECIFICATION INFORMATION IS SUBJECT TO CHANGE WITHOUT NOTIFICATION



404 NW ENTERPRISE DR. PORT ST. LUCIE, FL 34986 | 772.408.5213 | WWW.RPP-USA.COM