



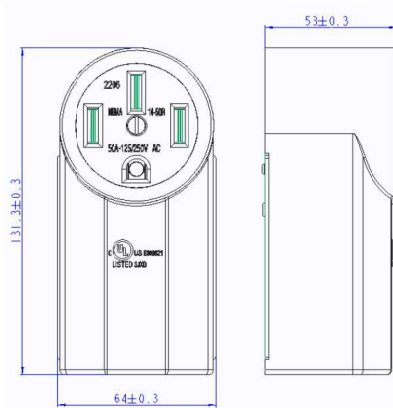
CONTRACTOR	
PROJECT	DATE
PREPARED BY	MODEL :

## SERIES SPECIFICATIONS

50 Amp, 125/ 250 Volt, NEMA 14-50R, 3P, 4W, Surface Mtg Receptacle, Straight Blade, Industrial Grade, Grounding, AL-CU, Side Wired, Steel Strap, - Black



## LINE DRAWING



## CONSTRUCTION

**Finish**  
Black

**Cover Material**  
PA6+GF20

**Base Material**  
PA6+GF20

**Strap Material**  
Galvanized Steel

**NEMA**  
14-50R

## ELECTRICAL SPECIFICATIONS

**Voltage**  
125/250VAC

**Amperage**  
50A

**Grounding**  
No

**Wire**  
4

**Poles**  
3

**AC Horsepower Ratings**  
3HP

**Dielectric Voltage**  
Withstands 2000V per UL498

**Current Limiting**  
Full Rated Current

**Temperature Rise**  
Max 30°C after 50 cycles OL at 150 percent rated current

APPLICATION AND PERFORMANCE SPECIFICATION INFORMATION IS SUBJECT TO CHANGE WITHOUT NOTIFICATION



404 NW ENTERPRISE DR. PORT ST. LUCIE, FL 34986 | 772.408.5213 | WWW.RPP-USA.COM



CONTRACTOR	
PROJECT	DATE
PREPARED BY	MODEL :

## ENVIRONMENTAL SPECIFICATIONS

**Flammability**  
Rated V-2 per UL94

**Operating Temperature**  
-40°C to 60°C

## MECHANICAL SPECIFICATIONS

**Terminal Accept**  
10 to 4 AWG

## CERTIFICATIONS/WARRANTY

**Listing**  
c-UL-us Listed

**Warranty**  
Guaranteed for one year from the purchase date of the product, against mechanical defects in manufacturing.

## ORDERING INFORMATION

**Part Number:** SMR1450R-BK

**IMS Code :** 0424-2786

APPLICATION AND PERFORMANCE SPECIFICATION INFORMATION IS SUBJECT TO CHANGE WITHOUT NOTIFICATION



404 NW ENTERPRISE DR. PORT ST. LUCIE, FL 34986 | 772.408.5213 | WWW.RPP-USA.COM