



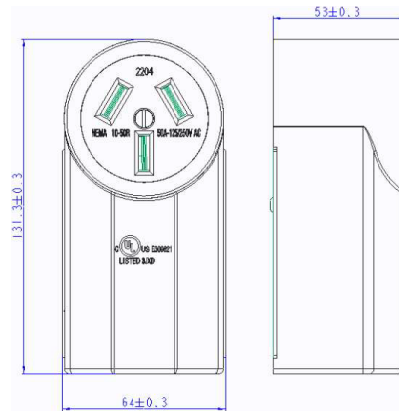
CONTRACTOR	
PROJECT	DATE
PREPARED BY	MODEL :

SERIES SPECIFICATIONS

50 Amp, 125/ 250 Volt, NEMA 10-50R, 3P, 3W, Surface Mtg Receptacle, Straight Blade, Industrial Grade, Non-Grounding, AL-CU, Side Wired, Steel Strap, - Black



LINE DRAWING



CONSTRUCTION

Finish
Black

Cover Material
PA6+GF20

Base Material
PA6+GF20

Strap Material
Galvanized Steel

NEMA
10-50R

ELECTRICAL SPECIFICATIONS

Voltage
125/250VAC

Amperage
50A

Grounding
No

Wire
3

Poles
3

AC Horsepower Ratings
3HP

Dielectric Voltage
Withstands 2000V per UL498

Current Limiting
Full Rated Current

Temperature Rise
Max 30°C after 50 cycles OL at 150 percent rated current

APPLICATION AND PERFORMANCE SPECIFICATION INFORMATION IS SUBJECT TO CHANGE WITHOUT NOTIFICATION



404 NW ENTERPRISE DR. PORT ST. LUCIE, FL 34986 | 772.408.5213 | WWW.RPP-USA.COM



CONTRACTOR	
PROJECT	DATE
PREPARED BY	MODEL :

ENVIRONMENTAL SPECIFICATIONS

Flammability
Rated V-2 per UL94

Operating Temperature
-40°C to 60°C

MECHANICAL SPECIFICATIONS

Terminal Accept
10 to 4 AWG

CERTIFICATIONS/WARRANTY

Listing
c-UL-us Listed

Warranty
Guaranteed for one year from the purchase date of the product, against mechanical defects in manufacturing.

ORDERING INFORMATION

Part Number: SMR1050R-BK

IMS Code : 0424-2783

APPLICATION AND PERFORMANCE SPECIFICATION INFORMATION IS SUBJECT TO CHANGE WITHOUT NOTIFICATION



404 NW ENTERPRISE DR. PORT ST. LUCIE, FL 34986 | 772.408.5213 | WWW.RPP-USA.COM