



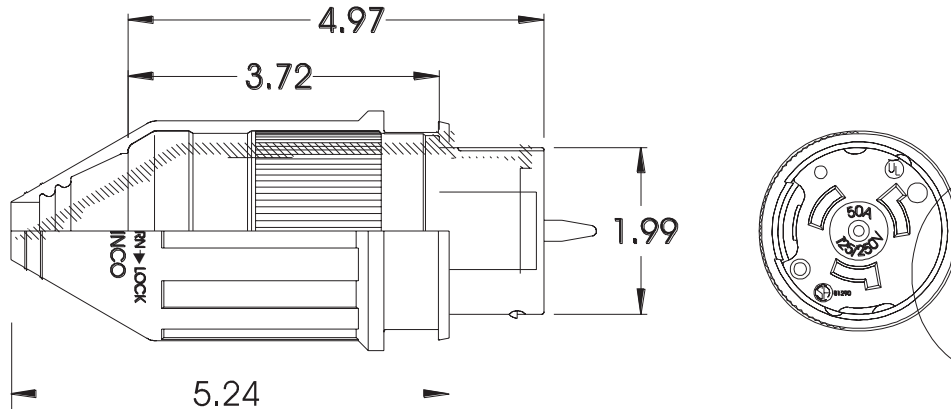
CONTRACTOR	
PROJECT	DATE
PREPARED BY	MODEL :

## SERIES SPECIFICATIONS

50A 125/250V AC 3 POLE 4 WIRE CONNECTOR W/ LOCKING COVER



## LINE DRAWING



## CONSTRUCTION

Finish  
Black

Material  
Plastic parts are nylon with CTI greater than 600 volts

Wires  
4

## ELECTRICAL SPECIFICATIONS

Voltage  
125/250VAC

Amperage  
50A

Grounding  
Yes

Poles  
3

Cord Clamp  
Internal, Self Centering  
Accommodates cable up to 1/2"

Terminals  
Self-locking collar-type

APPLICATION AND PERFORMANCE SPECIFICATION INFORMATION IS SUBJECT TO CHANGE WITHOUT NOTIFICATION



11675 SW TOM MACKIE BLVD. PORT ST. LUCIE, FL 34987 | 772.408.5213 | WWW.RPP-USA.COM



CONTRACTOR	
PROJECT	DATE
PREPARED BY	MODEL :

## CERTIFICATIONS/WARRANTY

### Listing

UL Listed

### Warranty

Guaranteed for one year from the purchase date of the product, against mechanical defects in manufacturing.

## ORDERING INFORMATION

**Part Number:** RPPCS6364

**IMS Code :** 0544-9419

APPLICATION AND PERFORMANCE SPECIFICATION INFORMATION IS SUBJECT TO CHANGE WITHOUT NOTIFICATION



11675 SW TOM MACKIE BLVD. PORT ST. LUCIE, FL 34987 | 772.408.5213 | WWW.RPP-USA.COM