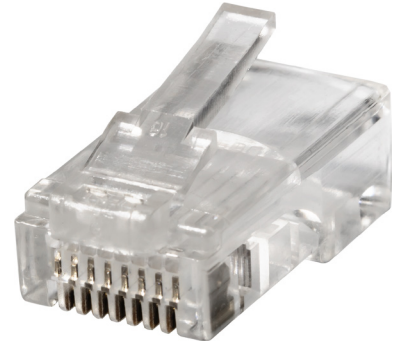




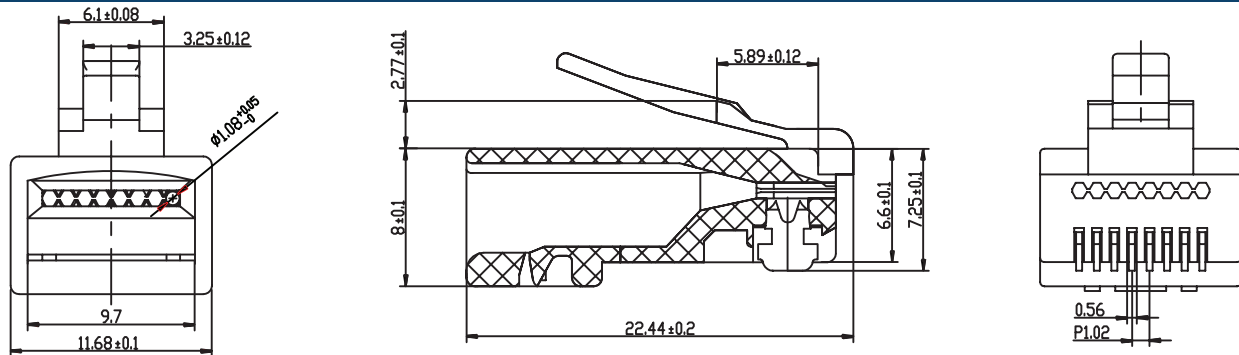
CONTRACTOR	
PROJECT	DATE
PREPARED BY	MODEL :

SERIES SPECIFICATIONS

RJ45 8P8C Cat6 Modular Plug



LINE DRAWING



Housing Material

Polycarbonate

Shield Material

H65Y, T=0.2mm

Contact Material

Phosphor Bronze, T=0.35

ELECTRICAL INFORMATION

Insulation Resistance

1000 Megaohms min.

Withstand Voltage

1000V, AC/minute

Durability

750 mating circles/minute

ORDERING INFORMATION

SKU	IMS CODE
RJ 45 PT6	0493-0860

APPLICATION AND PERFORMANCE SPECIFICATION INFORMATION IS SUBJECT TO CHANGE WITHOUT NOTIFICATION



404 NW ENTERPRISE DR. PORT ST. LUCIE, FL 34986 | 772.408.5213 | WWW.RPP-USA.COM